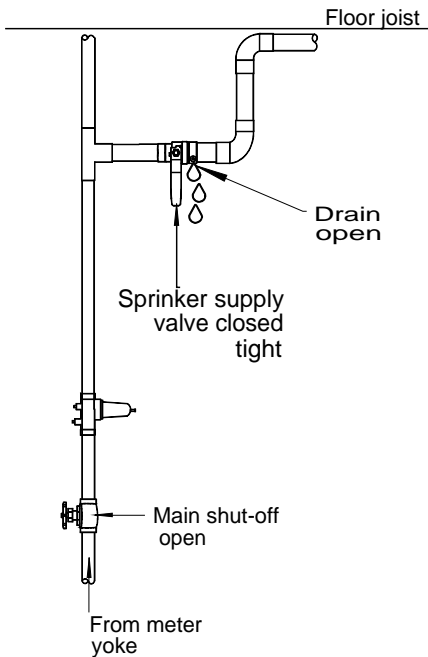


STEP 1

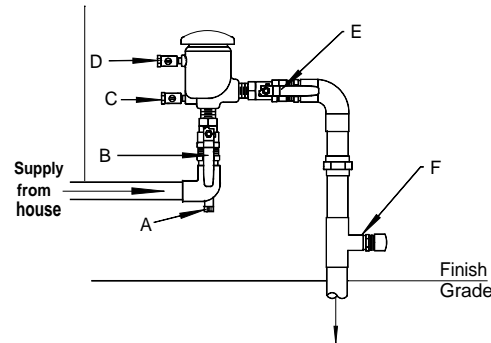
SHUT OFF WATER SUPPLY TO SPRINKERS



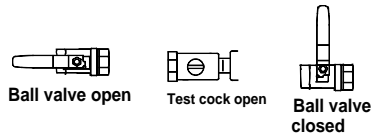
1. Close the sprinkler supply valve tight
2. Open the supply drain; this may be a ball valve with drain or a boiler drain.
3. Leave the main-shut-off open. Closing this valve will shut off the water to your house.

STEP 2

DRAIN PVB



1. Keep sprinkler supply drain inside house open and the sprinkler supply valve closed.
2. Open upstream drain (A), if present.
3. Keep ball valve #1 (B) and ball valve #2 (E) open.
4. Open testcock #1 (C) and testcock #2 (D).
5. Remove cap from air injection fitting (F).
6. Allow water to drain from PVB and piping.
7. **CLOSE BALL VALVE #2 (E).**



STEP 3

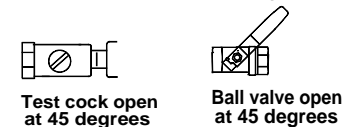
INJECT AIR INTO SPRINKLER LINES

1. Do not inject compressed air into the the backflow device.
2. Attach air compressor hose to the air-injection fitting (F).
3. Set the first station on your sprinkler clock to "Run".
4. Turn on the air from the air compressor.
5. Using the sprinkler timer, run each zone until only air comes out of the heads.

STEP 4

VALVE AND TEST COCK WINTER POSITIONS

1. Leave inside drain open over winter.
2. Leave ball valves #1 (A) and #2 (F) open at 45 degrees.
3. Leave all test cocks (C & D) open at 45 degrees.
4. Leave upstream drain (A), if present, open.
5. Leave air injection fitting (F) open over winter.



Protecting our water from the hazards of the irrigation systems is important.

It is equally important to protect the backflow prevention assemblies that are protecting our water.

This is a brief instructional brochure to assist the homeowner or business person in winterizing your irrigation system without causing damage to the backflow prevention assembly.

Colorado Backflow Prevention Association

Visit us: www.backflow.org

Contact us: info@backflow.org

Or visit the
American Backflow Prevention Association

At: www.abpa.org

This brochure provided to the people of
INSERT CITY NAME HERE
with the assistance of the

Colorado Backflow Prevention Association.

INSERT CITY LOGO
HERE

© CBPA 2005



Winterizing
Your Irrigation
Backflow
Prevention
Assembly

**Pressure Vacuum
Breaker**

